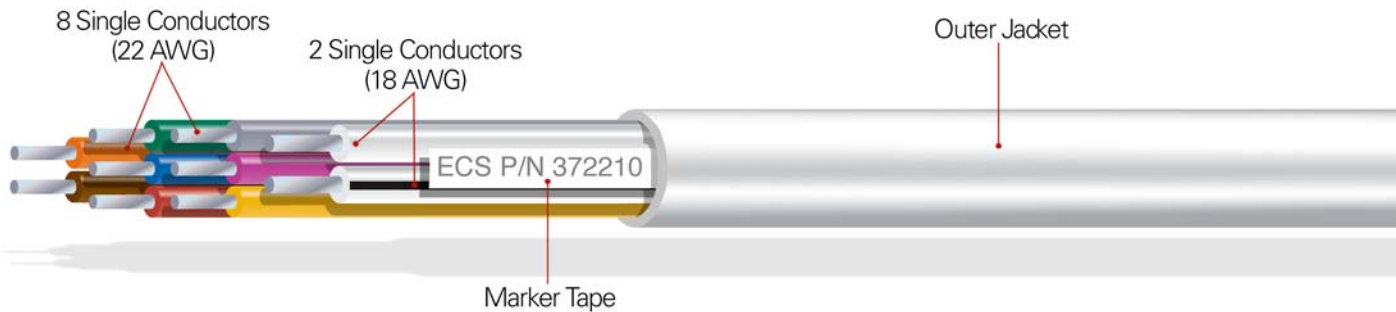




Providing complete avionics installation provisions
and support for the Aviation industry since 1984.

10 Conductor Composite Cable

P/N 372210



10 Conductors

8 Single Conductors:

Conductors: 22 AWG stranded tin plated copper
Insulation: High temperature fluoropolymer

2 Single Conductors:

Conductors: 18 AWG stranded tin plated copper
Insulation: High temperature fluoropolymer

Overall Cable:

Outer Jacket: White high temperature fluoropolymer
(laser markable)

Physical Characteristics

Outer Diameter: 0.23 inches nominal

Bend Radius: 1.1 inches minimum

Weight: 4.6 lbs/100 ft

Temperature Range: -55° to +150° C

Skydrol Resistant: Yes

Applications

Smoke Detection Equipment

Color Code:

18 AWG Conductors: White, White/Black

22 AWG Conductors: Red, Green, Brown, Blue, Orange, Yellow, Violet, Grey

Environmental:

- ECS Composite cables are designed to meet, or exceed, burn requirements as set forth in Federal Aviation Regulations 14 CFR Part 25.869(a)(4) Amdt 25-113, Appendix F Part I(a)(3).
- They are manufactured with materials which, when subjected to flames or high temperatures, will not outgas deadly hydrogen chloride produced by conventional PVC cables.

Cage Code: 66197 • **Issue Date:** 9/21/09

5300 W. Franklin Drive
Franklin, Wisconsin 53132 USA

414.421.5300 • 800.327.9473
sales@ecsdirect.com • www.ecsdirect.com

