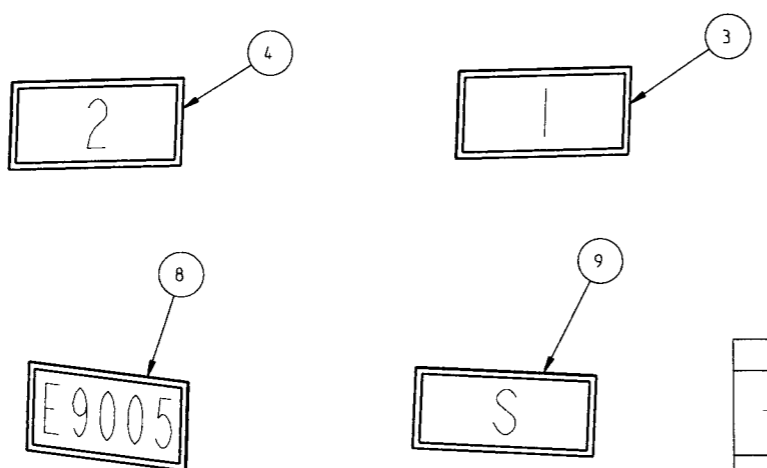
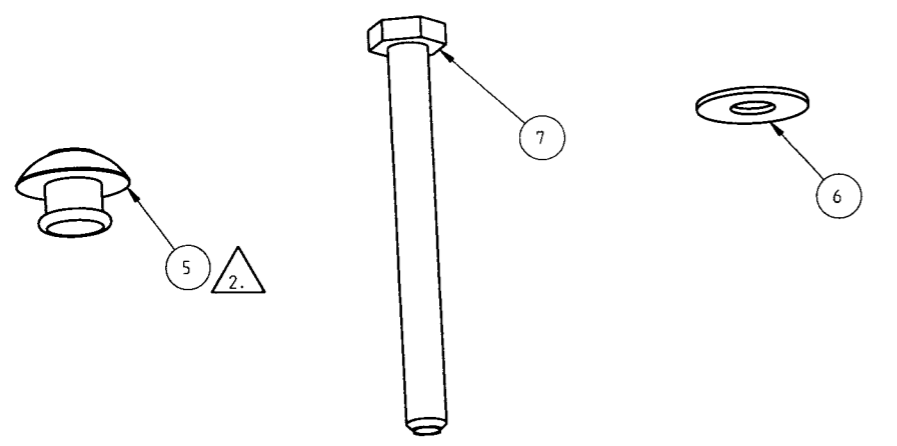
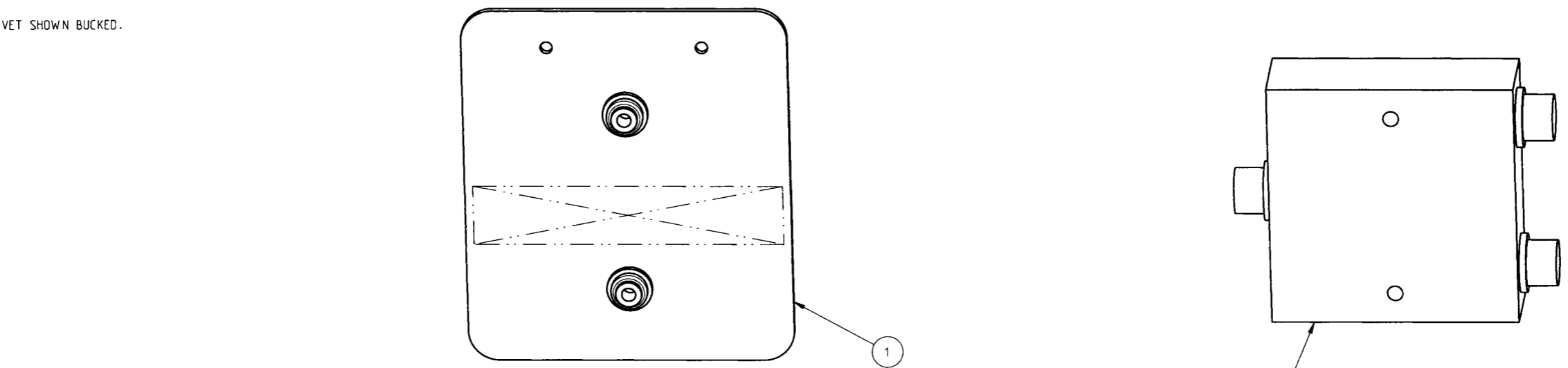


REVISION HISTORY						
ECN	SHT	ZONE	REV	DESCRIPTION	DATE	APPROVED
14509			N/C	RELEASED FOR DESIGN APPROVAL	10/15/01	D. CUMMINGS
14897		P/L	A	ITEM 1 P/N WAS 200-88524-101.	1/21/02	D. WARD

This print and associated documents and the contained information are the confidential property of ELECTRONIC CABLE SPECIALISTS. Disclosure of, and/or reproduction of, all or part thereof or manufacture of any part from information contained on this print not specifically permitted by ELECTRONIC CABLE SPECIALISTS in writing is forbidden.

NOTES: UNLESS OTHERWISE SPECIFIED
GENERAL NOTES:
1. -102 PROVIDED WITH MORE PARTS THAN REQUIRED FOR INSTALLATION FOR ITEMS 5,6 AND 7.

2. RIVET SHOWN BUCKED.



QTY.	QTY.	COMPONENT PART NO. OR IDENTIFYING NO.	NOMENCLATURE OR DESCRIPTION	MATERIAL/SPECIFICATION	ALTERNATE PART NO.	CAGE CODE	ITEM NO.
-	-	200-88198-39	PLACARD	S	-	-	9
-	-	200-88198-09	PLACARD	E9005	-	-	8
-	-	NAS1801-04-18	SCREW, HEX HEAD	#4-40 X 1.13 LG. CAD PL STL	M551957-121	-	7
-	-	NAS1149DN416J	WASHER, FLAT	#4 X .016 THK. ALUM	NAS1149DN16H	-	6
-	-	CR3213-5-02	RIVET, BLIND, UNIVERSAL HEAD	Ø.156 X .125 MAX GRIP, ALUM/STL	-	-	5
-	-	200-88198-41	PLACARD	2	-	-	4
-	-	200-88198-40	PLACARD	1	-	-	3
-	1	200-88678-01	GPS SPLITTER	-	-	-	2
-	1	200-88987-101	PLATE ASSEMBLY, GPS SPLITTER	-	-	-	1
-	1	120-88357-102	HARDWARE SPLITTER INSTALLATION KIT, GPS	-	-	-	-
-	-	120-88357-101	SPLITTER INSTALLATION KIT, GPS	-	-	-	-

THIRD ANGLE PROJECTION 		WEIGHTS STRESS FINISH TREATMENT SIMILAR TO ACT WT CALC WT		UNLESS OTHERWISE SPECIFIED DIMENSIONS ARE IN INCHES FRACTIONS: ± .005 DECIMALS: ± .003 ANGULAR: ± .5 DO NOT SCALE DRAWING		CONTRACT NO. DRAWN: D. ARFSTEN CHECKED: D. CUMMINGS DESIGNED: D. ARFSTEN PROJECT: D. CUMMINGS MANUFACTURING: CM-ORTIZ ENGINEERING: T. ANTCZAK		DATE: 28-Sep-01 DATE: 10/15/01 DATE: 10/15/01 DATE: 10/15/01 DATE: 10/17/01 DATE: 10/15/01		ELECTRONIC CABLE SPECIALISTS FRANKLIN, WI 53152 PHONE: (414) 421-5300 SPLITTER INSTALLATION KIT, GPS SIZE: D CAGE CODE: 66197 LEVEL: C/A DWG NO: 120-88357 SCALE: 1/1 EFFECTIVITY: TBM700 SHEET: 1 OF 1	
CAD GENERATED DOCUMENT ANY CHANGES TO THIS DOCUMENT MUST BE SUBMITTED TO THE DESIGN/DRAFTING DEPARTMENT FOR PROPER UPDATE		PART/ASST DASH NO. -101 QTY REQ'D 1 FINAL/NEXT DRAWING 100-88356 PROJECT NO. 010904		PRODUCTION QUALITY ASSURANCE		ADDITIONAL APPROVALS DATE		SCALE: 1/1 EFFECTIVITY: TBM700		SHEET: 1 OF 1	

NAME: DJCUMMIN OBJECT: 120-88357 DATE: 21-Jan-02 15:32:16